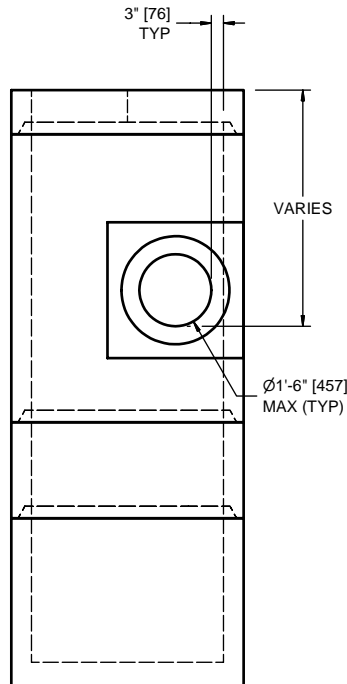
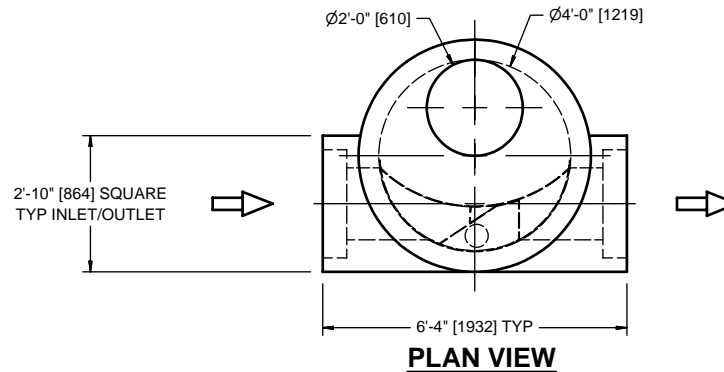
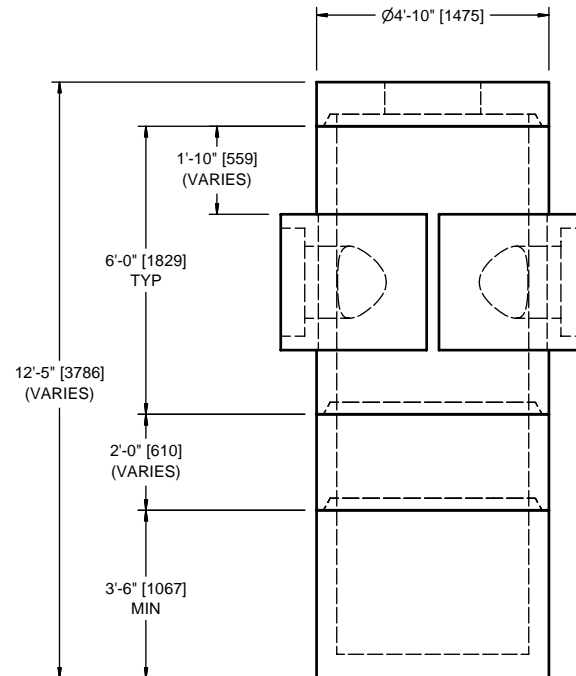


THE VORTSENTRY SECTION SHALL BE STENCILED WITH THE CONTECH STORMWATER SOLUTIONS NAME AND LOGO. PIPE OPENINGS SHALL BE STENCILED "INLET" OR "OUTLET" AS APPROPRIATE



LEFT SIDE VIEW

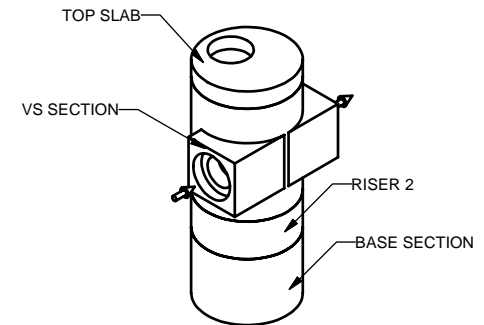


ELEVATION VIEW

ALTERNATE UNITS [] ARE IN MILLIMETERS UNLESS NOTED OTHERWISE

NOTES:

1. STORMWATER TREATMENT SYSTEM (SWTS) SHALL BE DESIGNED TO MEET PERFORMANCE GOALS BASED ON FULL SCALE LABORATORY PERFORMANCE DATA
2. SWTS SHALL BE DESIGNED TO RETAIN FLOATABLES AND TRAPPED SEDIMENT AT FLOW RATES UP TO AND INCLUDING PEAK TREATMENT CAPACITY
3. SWTS INVERTS IN AND OUT SHALL BE AT THE SAME ELEVATION
4. SWTS SHALL NOT BE COMPROMISED BY EFFECTS OF DOWNSTREAM TAILWATER
5. SWTS SHALL HAVE NO INTERNAL COMPONENTS THAT OBSTRUCT MAINTENANCE ACCESS
6. PIPE ORIENTATION MAY VARY; SEE SITE PLAN FOR SIZE AND LOCATION
7. PURCHASER SHALL NOT BE RESPONSIBLE FOR ASSEMBLY OF INTERNAL COMPONENTS
8. (1) MANHOLE FRAME AND COVER SUPPLIED WITH SYSTEM, NOT INSTALLED
9. PURCHASER TO PREPARE EXCAVATION AND PROVIDE LIFTING EQUIPMENT
10. VORTSENTRY BY CONTECH STORMWATER SOLUTIONS; PORTLAND, OR (800) 548-4667; SCARBOROUGH, ME (877) 907-8676; ELKRIDGE, MD (866) 740-3318



ASSEMBLY VIEW

FOR INFORMATIONAL PURPOSES ONLY - NOT INTENDED FOR CONSTRUCTION

This CADD file is for the purpose of specifying stormwater treatment equipment to be furnished by CONTECH Stormwater Solutions and may only be transferred to other documents exactly as provided by CONTECH Stormwater Solutions. Title block information, excluding the CONTECH Stormwater Solutions logo and the VortSentry Stormwater Treatment System designation and patent number, may be deleted if necessary. Revisions to any part of this CADD file without prior coordination with CONTECH Stormwater Solutions shall be considered unauthorized use of proprietary information.

STANDARD DETAIL
STORMWATER TREATMENT SYSTEM
VORTSENTRY® VS40 US PATENT No. 6,991,114



SCALE: NONE

DRAWN: JBS

CHECKED: NDG

FILE NAME: STDVS40

DATE: 4/6/06

STD