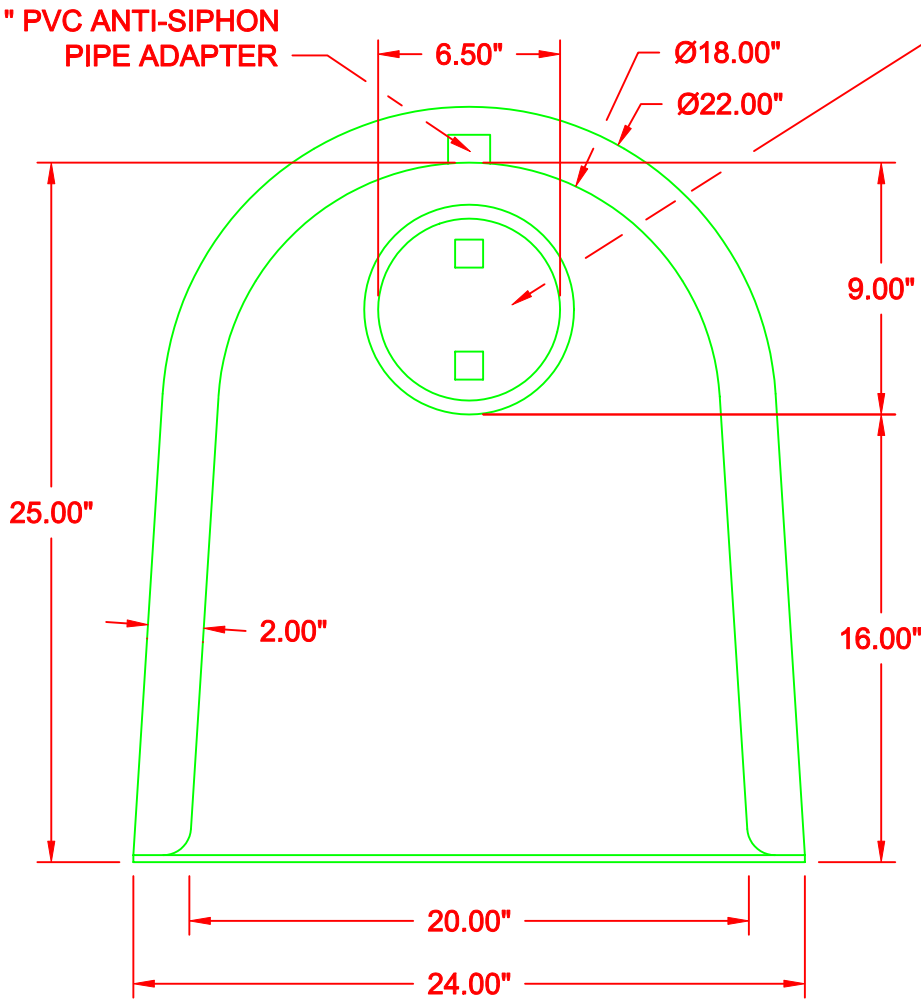
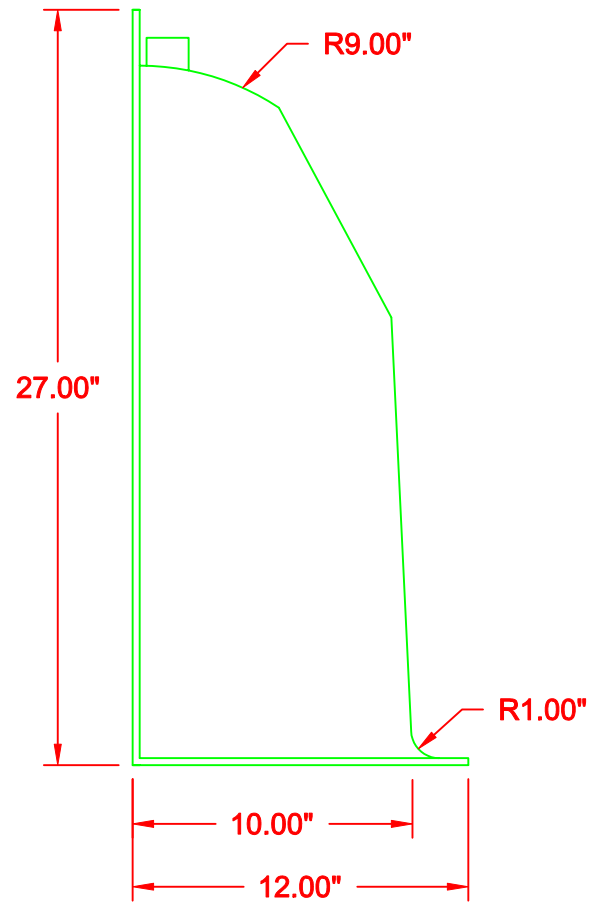


1" PVC ANTI-SIPHON  
PIPE ADAPTER

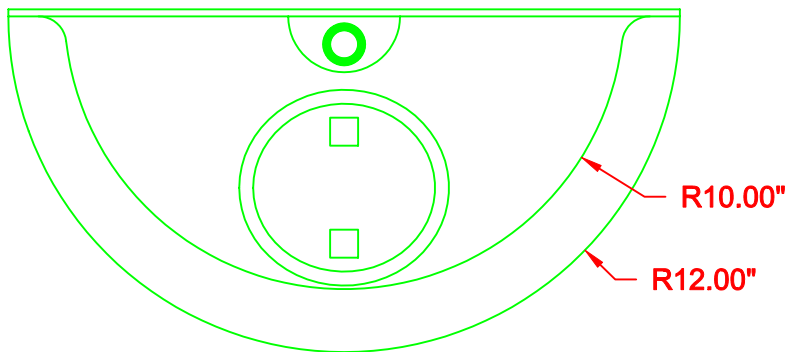


FRONT

REMOVABLE WATERTIGHT  
ACCESS PORT, 6" OPENING



SIDE



PLAN

US PATENT #6126817 ADDITIONAL PATENTS PENDING

**BMP, INC.**

53 MT. ARCHER ROAD, LYME, CT. 06371  
(800) 504-8008 FAX: (860)434-3195

DESCRIPTION	DATE	SCALE
18F SNOOT OIL & DEBRIS STOP	09/14/99	NONE
	DRAWING NUMBER 18F	